

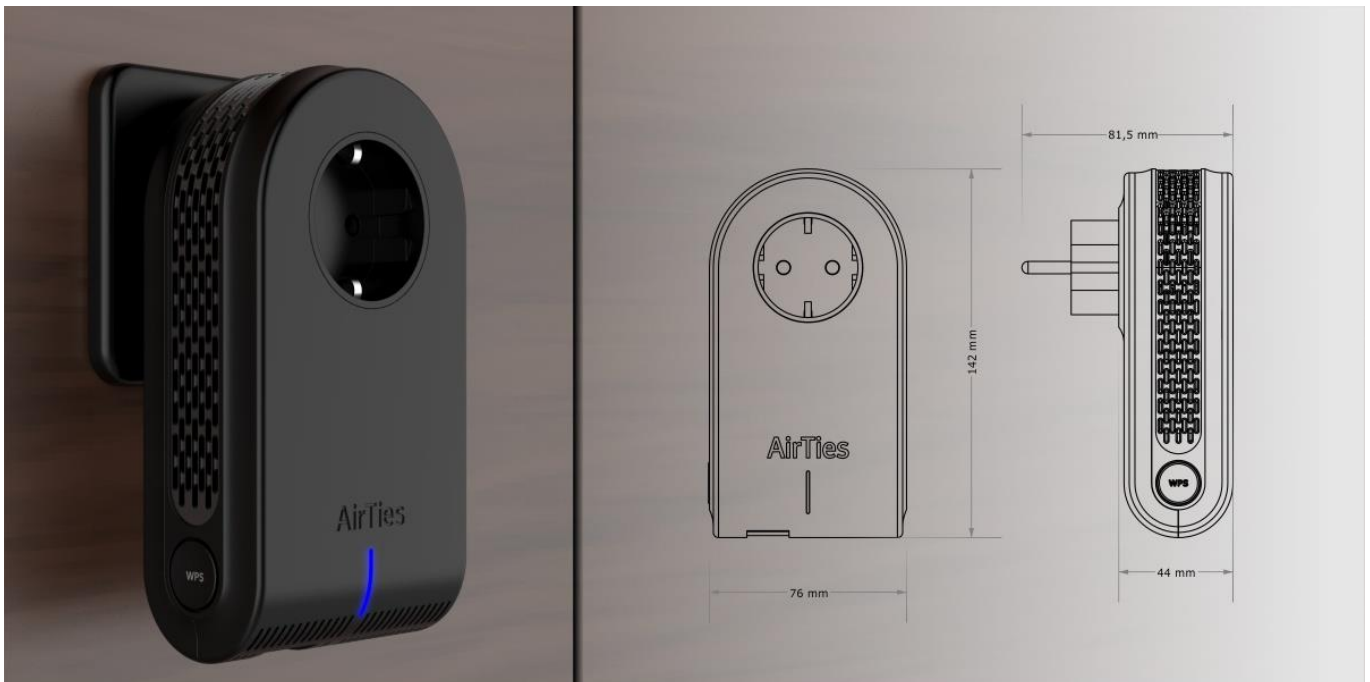
**SERENITY - NETWORK POWERLINE ADAPTOR**

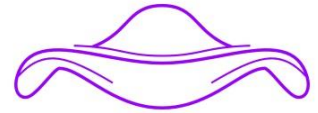
for Airties



**Power-line communication** (PLC) is a communication method that uses electrical wiring to simultaneously carry both data and electric power. Serenity is a power line adaptor, which can turn your home electrical cable network into a speedy data network, and will revolutionize the way you download movies, TV programs and browse the Internet in your home.

For information: <http://www.airties.com.tr>





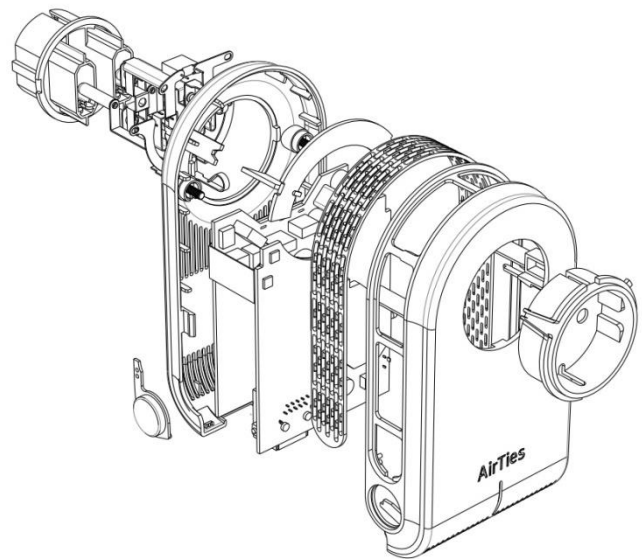
## Technology

- One-Touch Secure Installation: For installation, you only need to connect your devices via ethernet cables. If you want your network to be secure, press the "pair" keys on them and your network will automatically become encrypted.
- Connection Status Notification: You can easily understand the connection quality of your network with the powerline light color.
- Socket Input and Noise Filter: With the extra socket input you do not have to cancel your socket. You can take your connection to the highest level without being affected by the noise of other electrical devices thanks to the built-in noise filter.



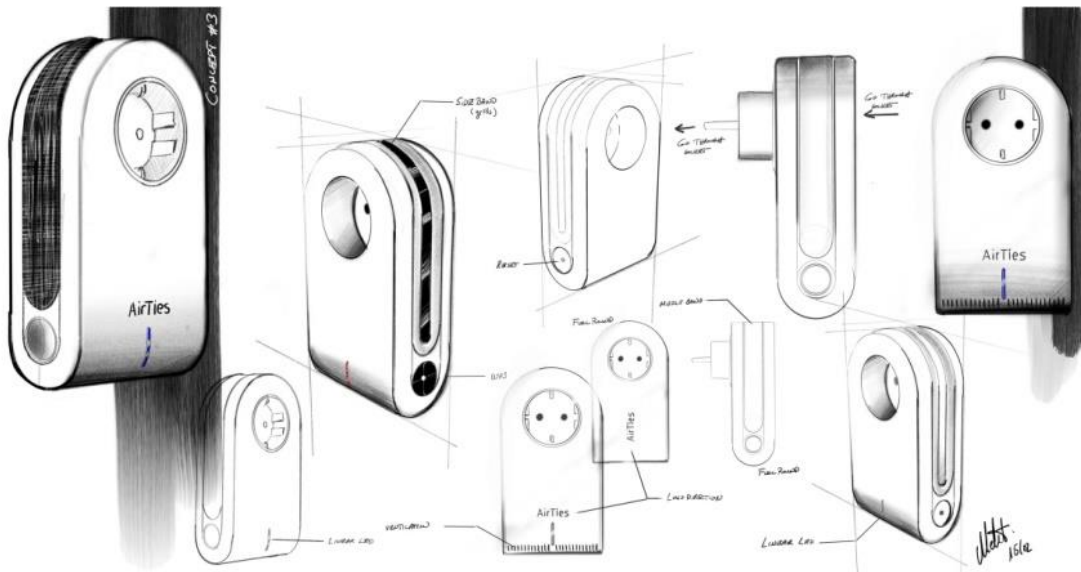
## Technical Specs

- Compatible with HomePlugAV 1.1 and IEEE P1901 Standards
- IEEE 802.3 10/100 Ethernet (100Mbps) and IEEE 802.3u Fast Ethernet
- 10/100 Mbps Auto MDI / MDIX auto negotiation support
- Voice and video applications over IP
- Ports: 1 x 10/100 Ethernet (RJ-45, auto MDI / MDIX)
- Compatible with 14Mbps HomePlug 1.0 and 85Mbps Turbo HomePlug 1.0
- Compatible with HomePlugAV 1.1 200 Mbps adapters
- OFDM 1024/256/64/16/8 QAM, QPSK, BPSK and ROBO Modulation
- Frequency band: 2Mhz to 30Mhz
- Buttons: Pair / Reset button,
- UPnP Plug & Play feature
- LEDs: Power on / off, PLC throughput, Ethernet





**The Graceful Technology**



---  
[FACEBOOK](#) | [INSTAGRAM](#) | [TWITTER](#) | [LINKEDIN](#) | [PINTEREST](#)